

Part Number: PK389-12L00-TP

Kit Contents

Item #	Quantity Reqd.	Description
1	1	Front Passenger Side Mudguard
2	1	Front Driver Side Mudguard
3	1	Rear Passenger Side Mudguard
4	1	Rear Driver Side Mudguard
5	1	Hardware Kit (Front)
6	1	Hardware Kit (Rear)

Hardware Bag Contents (Front, 1 Bag)

Item #	Quantity Reqd.	Description
1	8	#14 x 19mm Screw (Thick)

Hardware Bag Contents (Rear, 1 Bag)

Item #	Quantity Reqd.	Description
1	6	M5 x 20 mm Screw (Thin)
2	6	Spring Clip (Small)

Additional Items Required For Installation

Item #	Quantity Reqd.	Description
1		
2		
3		

Conflicts

Models with ground effect

General Applicability

MY20 and newer Corolla models

Recommended Sequence of Application

Item #	Accessory
1	
2	
3	

*Mandatory







Recommended Tools

Personal & Vehicle Protection	Notes
Safety Glasses	
Special Tools	Notes
None	
Installation Tools	Notes
Screwdriver	Phillips #2 / #3
Angled Driver	10 mm Socket
Clean Cloth/Rag	
Special Chemicals	Notes
Cleaner	Soap & Water Mixture

Vehicle Service Parts (may be required for reassembly)

Item #	Quantity Reqd.	Description
1		
2		
3		

Legend

	STOP: Damage to the vehicle may occur. Do not proceed until process has been complied with.
	OPERATOR SAFETY: Use caution to avoid risk of injury.
	CAUTION: A process that must be carefully observed in order to reduce the risk of damage to the accessory/vehicle and to ensure a quality installation.
	TOOLS & EQUIPMENT: Used in Figures calls out the specific tools and equipment recommended for this process.
	REVISION MARK: This mark highlights a change in installation with respect to previous issue.
	SAFETY TORQUE: This mark indicates that torque is related to safety.

Procedure

Care must be taken when installing this accessory to ensure damage does not occur to the vehicle. The installation of this accessory should follow approved guidelines to ensure a quality installation.

These guidelines can be found in the "Accessory Installation Practices" document.

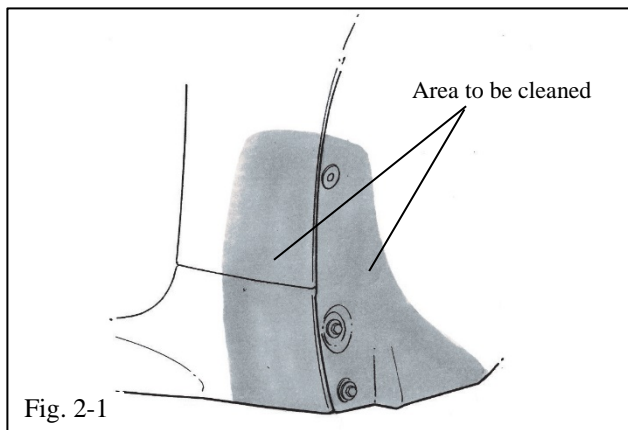
This document covers such items as:-

- Vehicle Protection (use of covers and blankets, cleaning chemicals, etc.).
- Safety (eye protection, rechecking torque procedure, etc.).
- Vehicle Disassembly/Reassembly (panel removal, part storage, etc.).
- Electrical Component Disassembly/Reassembly (battery disconnection, connector removal, etc.).

Please see your Toyota dealer for a copy of this document.

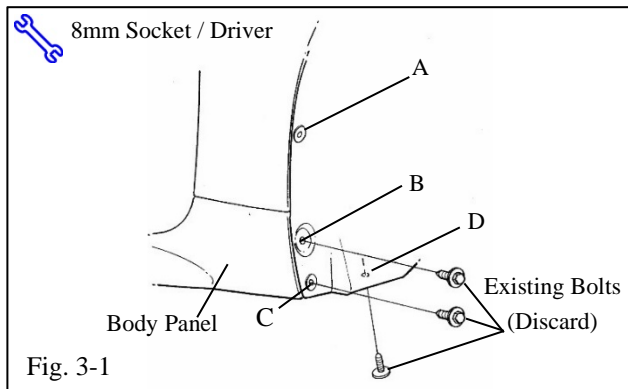
- 1. Raise the vehicle on a lift.**
- 2. Prepare to Mount the Front Mudguards.**

- (a) Clean and degrease the front body where the mudguard will be located with a clean cloth and soap/water mixture (Fig. 2-1).
- (b) Turning the front wheels will allow for additional clearance during installation.



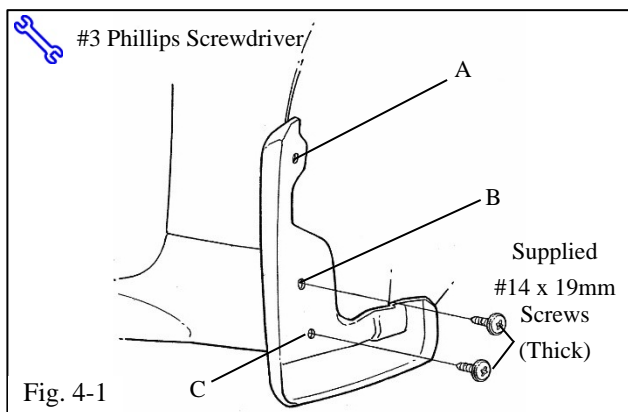
- 3. Front Hardware Removal Procedure.**

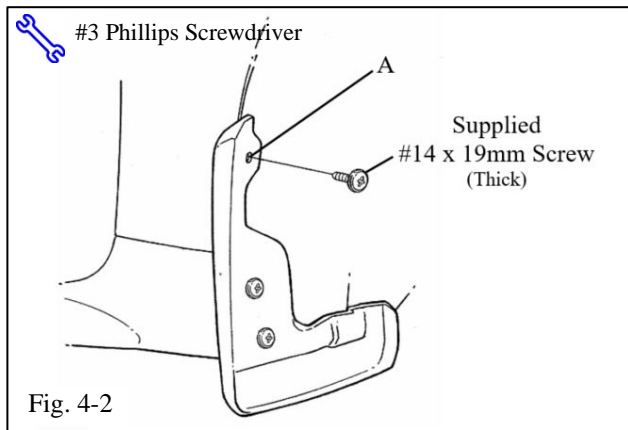
- (a) Remove the existing bolts in locations B and C and discard (Fig. 3-1).
- (b) Remove the existing lower bottom bolt in location D and discard



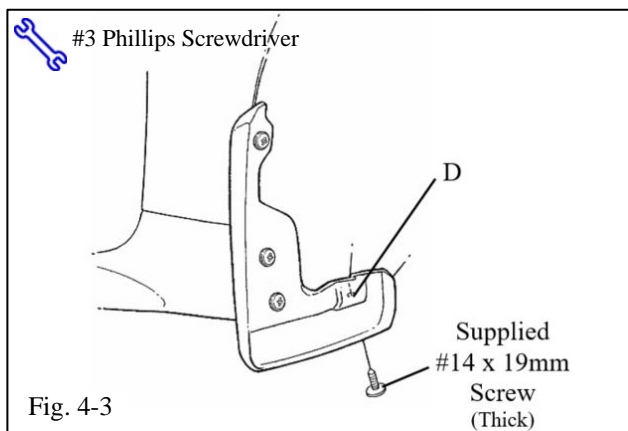
- 4. Install the Front Mudguard.**

- (a) Mount the mudguard on the body panel and install the supplied #14 x 19mm (thick) screw in location B then C, while holding the part up and into body panel then tighten. Do not over tighten (Fig. 4-1).



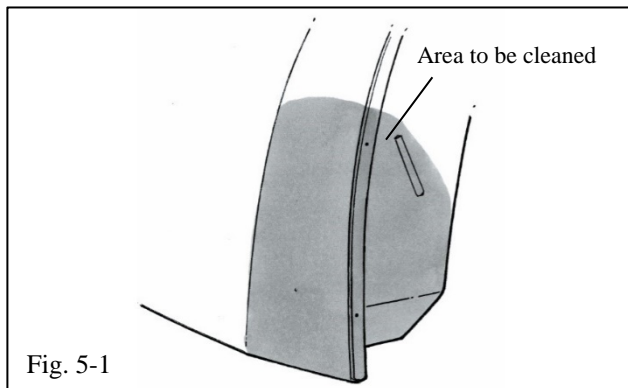


- (b) Install supplied #14 x 19mm (thick) screw in location A while holding part up and into body panel then tighten. Do not overtighten (Fig. 4-2).

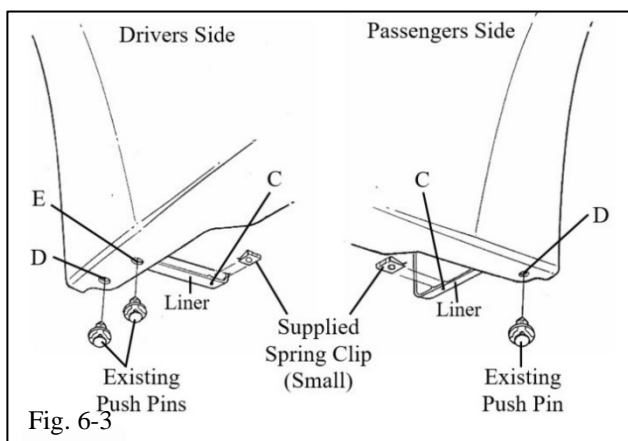
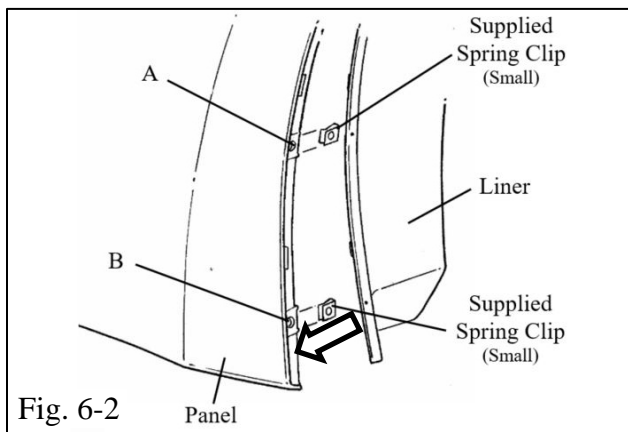
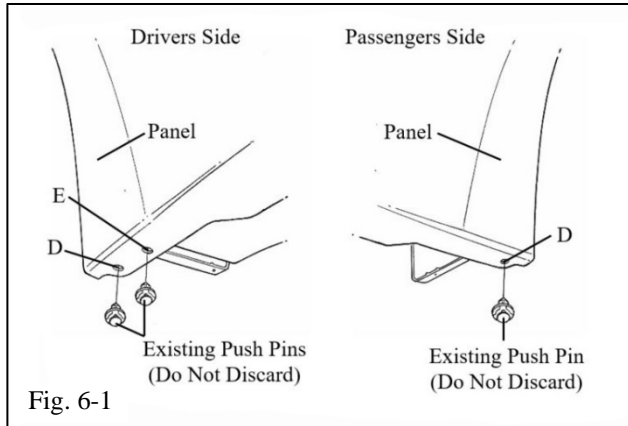


- (c) While holding mudguard tight to liner panel install supplied #14 x 19mm (thick) screw in location D and tighten. Do not overtighten (Fig. 4-3).
- (d) Repeat procedure for the other side of the vehicle.

5. Clean the Rear Mounting Area.



- (a) Clean and degrease rear bumper panel where mudguard is to be located with a clean cloth and soap/water mixture (Fig. 5-1).



6. Remove and Reinstall the Rear Hardware.

- (a) Remove the existing push pins at location D.
DO NOT DISCARD (Fig. 6-1).

⚠ NOTE: For driver's side remove 2 existing push pins at locations D and E. Do not discard.

- ⚠** (b) Pull out bumper cover from liner and install supplied spring clips (small) with turned up edge inside of panel at hole locations A and B (Fig. 6-2).

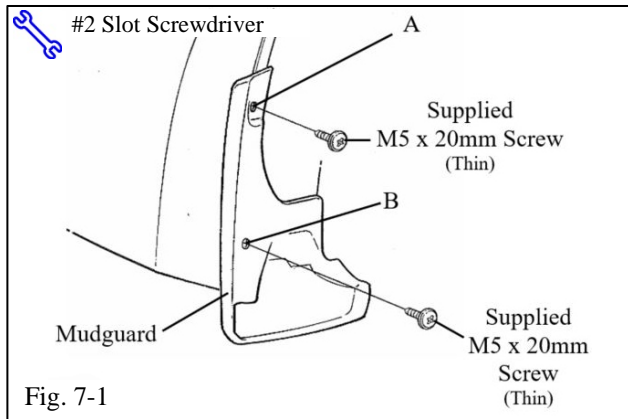
- (c) Reposition the panel and liner.

⚠ NOTE: If unable to lift vehicle, drill a hole at location C with 6mm angled bit to aid installation of the screw. Then proceed to step (d).

- (d) Install supplied spring clip (small) on inner liner edge and center on dimple hole location C with turned up edge on inside of liner (Fig. 5-3).

- (e) Reinstall the existing push pin in location D (Fig. 6-3).

⚠ NOTE: Reinstall 2 existing push pins in locations D and E on the driver's side.



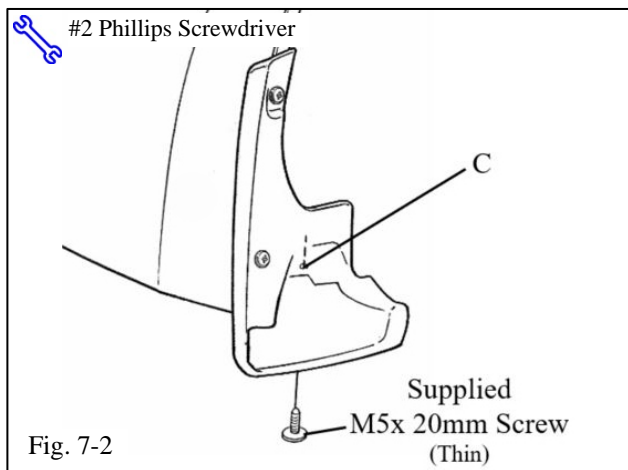
7. Install the Rear Mudguard.

(a) Mount the mudguard while holding up and pushing against the body panel. Install the supplied M5 x 20mm screw (thin) in location B (Fig. 7-1).

(b) While holding the top of the part tight to panel, install the supplied M5 x 20mm screw (thin) in location A and tighten.

(c) Install the supplied screw M5 x 20mm (thin) in location C and tighten (Fig. 7-2).

(d) Repeat procedure for other side of vehicle.



Checklist - these points **MUST** be checked to ensure a quality installation.

<u>Check:</u>	<u>Look For:</u>
<p><u>Accessory Function Checks</u></p> <ul style="list-style-type: none"><input type="checkbox"/> Gap between the mudguard and the body<input type="checkbox"/><input type="checkbox"/><input type="checkbox"/>	<p>Excessive gaps greater than 1.0 mm</p>
<p><u>Vehicle Function Checks</u></p> <ul style="list-style-type: none"><input type="checkbox"/><input type="checkbox"/><input type="checkbox"/>	
<p><u>Vehicle Appearance Check</u></p> <ul style="list-style-type: none"><input type="checkbox"/> After accessory installation and removal of protective cover(s), perform a visual inspection.	<p>Ensure no damage (including scuffs and scratches) was caused during the installation process. (For PPO installations, refer to TMS Accessory Quality Shipping Standard.)</p>